

FL Housing

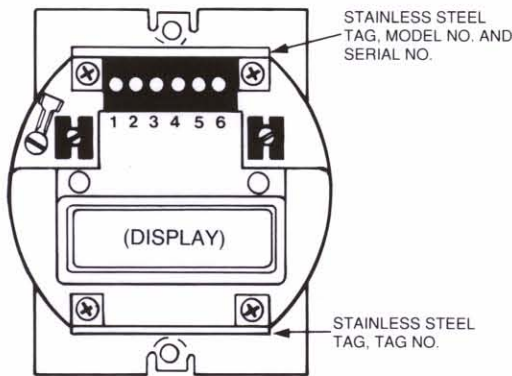
(Surface Mounting or Track Mounting)

HP Housing

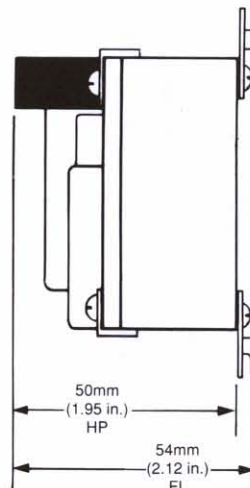
(Spring-clip Mounting for Explosion-proof Enclosures)

NOTES

1. There are two basic styles of housings. One version, as illustrated above, has a 6-position (4-position for EP-TCX) terminal block in the center of a flat panel and accommodates 30-12AWG wire. The second version has a removable (with field wiring attached) 6-position terminal block at the top of a cast panel and accommodates 30-14AWG wire.
2. Wire termination lugs are not required. If stranded wire is used, strands must be twisted tightly for proper electrical contact. All metal parts are nickel plated, except EP-TCX contacts, which are gold plated. Terminals used are labeled (+IN, -IN, etc.).
3. The two views show dimensions all FL housings have in common and other dimensions common to all HP housings. The following views show particular dimensions and features as grouped.
4. FL housings may be snap-mounted on a plastic track (3 1/2" wide). Specify P/N 800-118-27 and length.
5. Crimp-lug for ground wire (earth ground).
6. See data sheet 700-710-64 (Explosion-Proof Enclosures, Two-Wire) for enclosures compatible with HP housings.

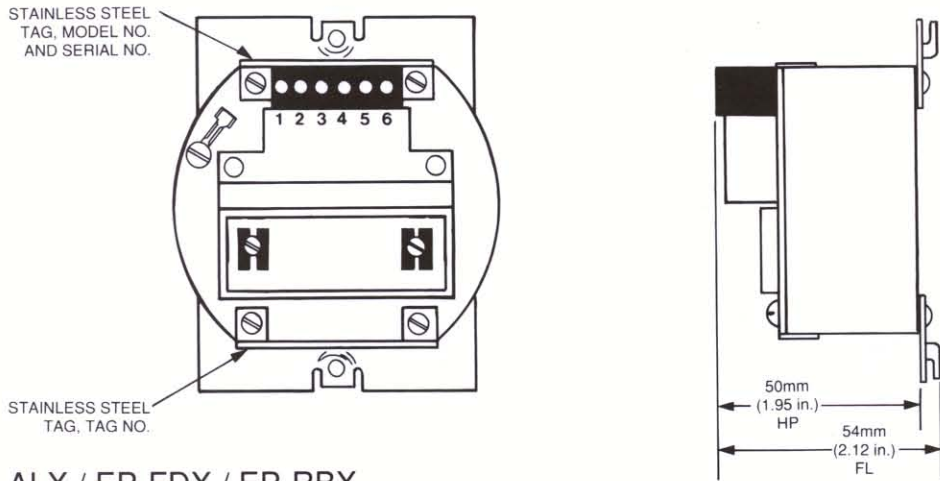


DVX/ITX

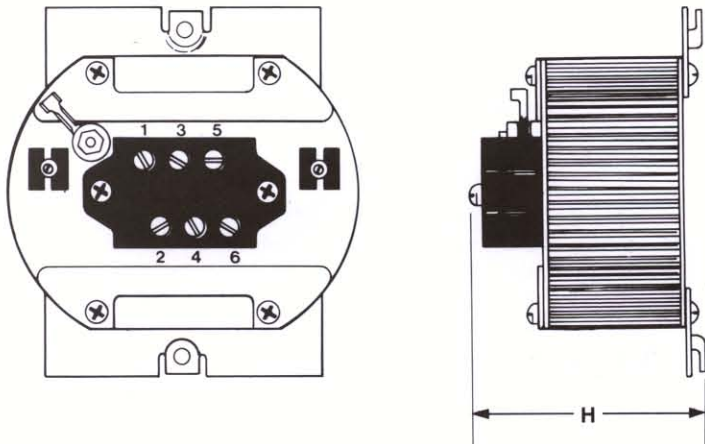


FL/HP

Flange Mount Housing [FL]/Hockey Puck Housing [HP] For 2-Wire Transmitters

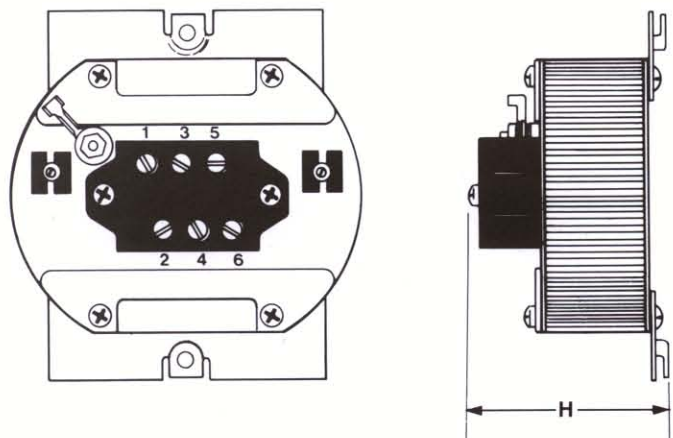


ALX / EP-FDX / EP-RBX



Housing/Options	Height (H)
FL	55.4mm (2.18 in.)
FL -RF	64mm (2.52 in.)
HP	53.8mm (2.12 in.)
HP -RF	62.5mm (2.46 in.)

ACX / MVX / TCX



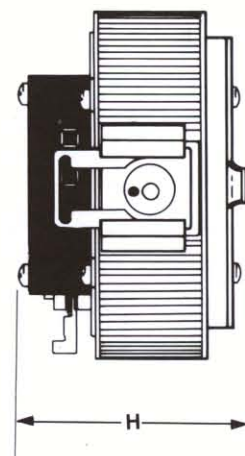
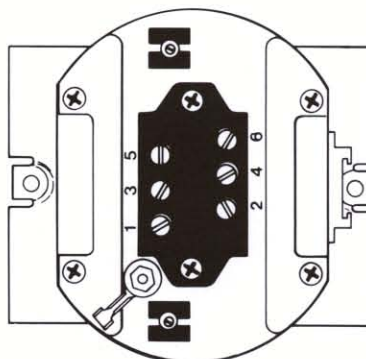
Housing/Options	Height (H)
FL	44.5mm (1.75 in.)
FL -RF	58mm (2.09 in.)
HP	42.7mm (1.68 in.)
HP -RF	51.3mm (2.02 in.)

FDX / FFX / PTX / RBX / RBX-DT / SCX / SRX

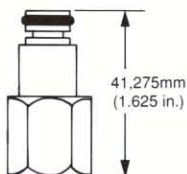
FL/HP

Flange Mount Housing [FL]/Hockey Puck Housing [HP] For 2-Wire Transmitters

Housing/Options	Height (H)
FL	49,3mm (1.94 in.)
FL -RF	57,9mm (2.28 in.)
HP	42,7mm (1.68 in.)
HP -RF	51,3mm (2.02 in.)



PIX-HP Fitting

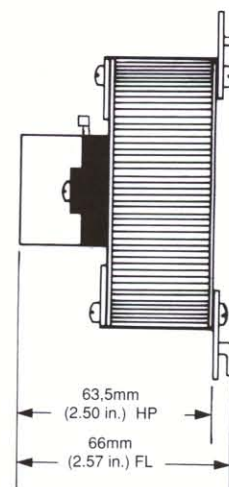
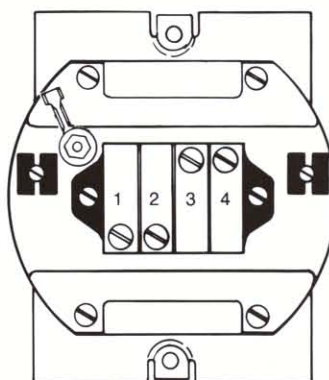


PIX-FL Fitting

NOTE

1. Pneumatic fitting supplied with PIX provides 1/4" NPT female connector but does not include self-sealing valve. This fitting is not used when installing in an explosion-proof enclosure, which is supplied with valve, fitting, and flame arrestor. To engage fitting pull up on locking clip, slide unit on, and push in to engage groove.

PIX



EP-TCX

FL/HP

Flange Mount Housing [FL]/Hockey Puck Housing [HP] For 2-Wire Transmitters

Table 1. Terminal Block Designations

Model	1	2	3	4	5	6
ACX	+PS	CT/PT	-PS	CT/PT		
ALX	+IN	-IN	RS	RS		-
DVX					+IN	-IN
FDX	+PS	-IN	-PS	+SS		+IN
EP-FDX	+IN	-IN			+PS	-PS
FFX	+PS	+IN	-PS	-IN		
ITX	+IN	-IN	FR	CAL	RS	RS
MVX	+PS	+IN	-PS	-IN		
PIX	+I		-I			
PTX	+PS	A	-PS	B		C
RBX EP-RBX	+PS	A	-PS	B		C
RBX-DT	+PS	AL	-PS	BL	AH	BH
SCX	+IN*	+OUT*	-IN*	-OUT*		
SRX	+OUT	+IN	-OUT	-IN		
TCX	+PS	+IN	-PS	-IN		
EP-TCX	+PS	-PS	+IN	-IN		

Table 2. Key to Abbreviations

Key	Description	
A B C	RTD or potentiometer inputs	
AH BH		High RTD input
AL BL		
CAL	Calibration	
CT/PT	Current transformer or potential transformer	
DT	Differential temperature signal input	
FR	Solid-state contact switch (reference to -IN)	
I	Power supply and current output	
IN	Signal output	
IN*	Signal input & power supply (SCX only)	
OUT	Power supply and current output	
OUT*	Signal output (SCX only)	
PS	Power supply and current output	
RS	Reset	
SS	Sensitivity select resistor	



The Interface Solution Experts • www.miinet.com

United States • info@miinet.com
Tel: (818) 894-7111 • FAX: (818) 891-2816
Australia • sales@mooreind.com.au
Tel: (02) 9525-9177 • FAX: (02) 9525-7296

Belgium • mii.belgium@pandora.be
Tel: 03/448.10.18 • FAX: 03/440.17.97
The Netherlands • sales@mooreind.demon.nl
Tel: (0)344-617971 • FAX: (0)344-615920

China • sales@mooreind.com.cn
Tel: 86-21-58313053 • FAX: 86-21-68752927
United Kingdom • sales@mooreind.com
Tel: 01293 514488 • FAX: 01293 536852